



nOKOTECH

SMART 880/880SL

USER MANUAL



SCAN FOR LATEST USER MANUALS

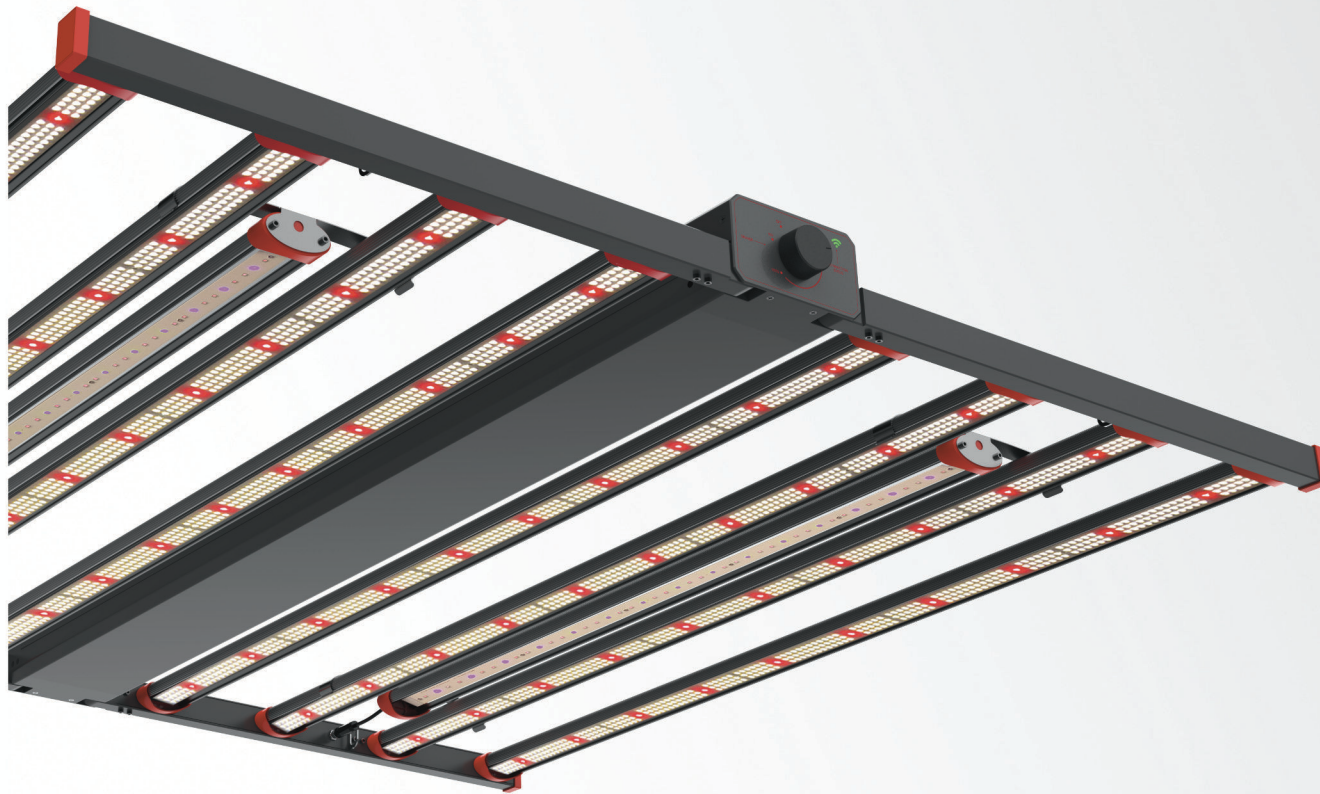


TABLE OF CONTENTS

- 1. Introduction
- 2. Product description
- 3. Product specifications
- 4. Safety recommendations
- 5. Product installation
- 6. Maintenance
- 7. Storage, disposal & warranty

1. INTRODUCTION

Thank you for purchasing the **SMART 880/880 SL** LED horticultural fixture and joining the NOKOTECH users club. This manual contains all the information needed to learn, install and use the product. Please read this manual carefully before trying to install and/or operate the SMART 880/880 SL fixture. If you are not comfortable installing high-performance lighting systems, you should always look for the services of a qualified professional.

We highly recommend you to check for the latest version manual on our webpage www.nokotech.co.uk/support. At the end of this manual, you will find the date of the last edit.

We hope to get your feedback no matter it is good or bad. Your valuable reviews help us take the products to the next level.

■ **For any information, don't hesitate to contact:**

support@nokotech.co.uk
+44 7984 917932
www.nokotech.co.uk

2. PRODUCT DESCRIPTION

SMART 880 and **SMART 880 SL** are electronic horticultural LED fixtures made using high-quality materials in a very comfortable and efficient design. They are high-performance fixtures suitable for any scale full-cycle horticulture cultivation: from propagation and cloning through vegetative growth and blooming stages. In this manual, the products SMART 880 and SMART 880 SL will be referred to as: '**the fixture**' or '**LED fixture**'.

SMART 880 has an integrated LCD display and works as a master unit through which you can control **SMART 880 SL** units connected to a daisy chain using RJ cables.

These LED fixtures are for indoor use only (climate-controlled indoor farms and grow rooms). But it is not meant for use in dwellings for general or architectural purposes illumination. The spectrum output for these LED fixtures is specially designed and manufactured for horticulture use only. Any use other is considered unintended use.

NOKOTECH can't be held responsible for any possible damage/harm caused by incorrect, inappropriate and/or inadvisable fixture use.

WARNING

This warning sign notes the possibility of injury to the user and/or damage to the product if the user does not perform the procedures as described.

ATTENTION

This attention sign notes the problems which may occur if the user does not perform the procedures as described.

■ **For any information, don't hesitate to contact:**

support@nokotech.co.uk
+44 7984 917932
www.nokotech.co.uk

3. PRODUCT SPECIFICATIONS

SPECIFICATIONS	SMART 880 / SMART 880 SL	UV/IR BAR
Dimensions (L.W.H):	1088 x 1140 x 70mm / 42.83 x 44.88 x 2.76in	800 x 194 x 30mm / 31.50 x 7.62 x 1.19in
Gross weight:	19.4kg / 42.7lbs ; 19.3kg / 42.5lbs	2.2kg 2pcs / 4.8lbs
Max input power:	780W	100W
Input voltage:	120-277V	120-277V
Dimming:	Knob / Master unit, special controller, or Knob	Master unit knob or special controller
THD:	≤15%	≤15%
Max PPF:	2100 umol/s	
Efficacy:	Up to 2.7 umol/J	
LED diodes:	San'an (white) & Osram (red)	Ledstar (UV + Far Red 730nm)
Max ambient	35°C / 95°F	35°C / 95°F
Coverage:	1524 x 1524mm / 5 x 5ft	

■ **For any information, don't hesitate to contact:**

support@nokotech.co.uk
+44 7984 917932
www.nokotech.co.uk

4. SAFETY RECOMMENDATIONS

Please carefully read recommendations and warnings before assembling and using the fixture!

The installation and use of the fixture is the responsibility of the end user. Incorrect installation can cause damage to the product. The warranty shall become void if the product and/or electronic components are damaged due to incorrect installation.

WARNING

- Always adhere to the local building and electrical codes (local rules and regulations) when installing or using the fixture.
- Do not open and/or disassemble the LED fixture as it contains no serviceable parts inside. Opening and/or modifying the LED fixture can be dangerous and will void the warranty.
- Connect the system only to the power sources of the appropriate voltage using the plug received with the fixture.
- Always switch off the main voltage before commencing installation or maintenance work. Let the fixture cool down for at least 20-30 minutes before proceeding, as it gets hot while operating, especially the heatsink and LEDs.
- Never look directly into the light source while fixture is turned on. Doing so can cause damage to the eyes. Special glasses are recommended while being in the grow facility with the grow light fixture turned on.
- Do not use the product when either the fixture or its power cable are damaged. Modifications to the cables can lead to unwanted electromagnetic effects which may damage the product.
- Do not defeat the safety purpose of a grounding or polarized plug by removing ground pins or using unsafe adapters. You may replace the power cable with correctly rated cable only.
- Protect power cables from being pinched, walked on, or otherwise damaged. Be especially careful where the power cable enters the power outlet and the unit.
- The fixture is passively cooled with zero moving components. Natural convection removes heat away from the heatsink. In order for the system to properly cool itself, at least 30cm (12 inches) of space are recommended above the light and 5cm (2 inches) at the sides.
- Do not use the LED fixture near flammable, explosive or reactive substances. Fixture reaches high temps while in use.

4.1 SAFETY RECOMMENDATIONS

Please carefully read recommendations and warnings before assembling and using the fixture!

The installation and use of the fixture is the responsibility of the end user. Incorrect installation can cause damage to the product. The warranty shall become void if the product and/or electronic components are damaged due to incorrect installation.

ATTENTION

- Never pull the cord to unplug the fixture, pull the plug only.
- Surge suppressors are highly recommended to protect your grow light investment. Power surges are one of the leading causes of premature grow light failure.
- Hang the fixture with a strong cord or chain from both ends. Make sure you have hooks solidly screwed into the studs in the ceiling. The hooks should be rated to hold at least 23 kg (50 lbs) each. Insert expansion anchors into the ceiling if you cannot locate the studs.
- To ensure the safe operation of the LED fixture, it is necessary to control the temperature of the grow room by mechanical ventilation or cooling system to below the maximum ambient operating temperature of 35°C (95°F).
- Do not use sulfur vaporizers or water misters. Sulfur and calcium deposits on your reflector will decrease its efficiency.
- Do not clean the fixture with detergents, abrasives, or other aggressive substances.

■ **For any information, don't hesitate to contact:**

support@nokotech.co.uk
+44 7984 917932
www.nokotech.co.uk

5. PRODUCT INSTALLATION

Please carefully read recommendations and warnings before assembling and using the fixture!

The installation and use of the fixture is the responsibility of the end user. Incorrect installation can cause damage to the product. The warranty shall become void if the product and/or electronic components are damaged due to incorrect installation.

What is included in the box?

LED fixture:	1 unit
AC power cord:	1 piece, 3m (10ft)
Stainless steel hanging kit:	Set for 1 fixture
RJ cable:	1 piece

Preparation for installation

1. Refer to your light plan. Arrange the place for the fixture to be mounted. Prepare steel cables and appropriate "hangers" or any other tools to hang the fixture, as it will have to hold significant weight.
2. Remove the fixture from the packaging and check contents. Check if the power cord is not damaged and safe to use.
3. Bring any additional tools and/or hardware that may be required to mount the fixture.
4. Switch off the main voltage.

WARNING

- Mounting and installing the fixture must be in accordance with the applicable local laws and regulations.
- Make sure the local cabling can support the voltage and current requirements of the fixture.
- The installer is responsible for correct and safe installation.

5.1 PRODUCT INSTALLATION

Fixture installation

The fixture is equipped with a 3m (10ft) power cord, terminated. Firstly connect the fixture with a power cable. Only then plug the power cable into the electrical socket, and you are ready to go.

WARNING

- Never block the cooling fins on the fixture. In order for the system to properly cool itself, at least 30cm (12in) of clearance above your fixture and 5cm (2in) on all sides is recommended.
- To ensure the safe operation of the LED fixture, it is necessary to control the temperature of the grow room by mechanical ventilation or cooling system to below the maximum ambient operating temperature of 35°C (95°F).
- Hang the fixture to appropriate "hangers" or any other tools rated to hold at least 23 kg (50 lbs) each.

When routing the fixture power cord ensure that:

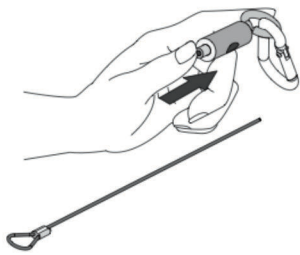
- The cord is not concealed or extended through a wall, floor, ceiling, or other parts of the building structure, such as above a suspended or dropped ceiling.
- The routed cord is not subject to strain, and is protected from physical damage.
- The cord is not permanently affixed to the building structure.

■ **For any information, don't hesitate to contact:**

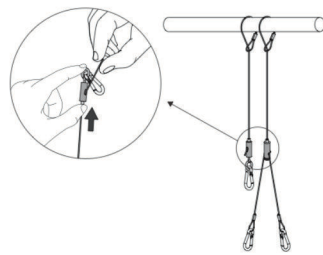
support@nokotech.co.uk
+44 7984 917932
www.nokotech.co.uk

5.2 PRODUCT INSTALLATION

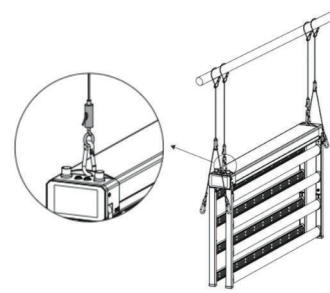
1. Unbox the fixture and place it on the flat surface. Make sure the surface is clear of objects which may damage LEDs.
2. Ensure the fixture is not plugged into the electrical power.
3. Adjust the steel cables: a, b & c



a) Press and hold to remove (or lock in adjust) the steel cables.

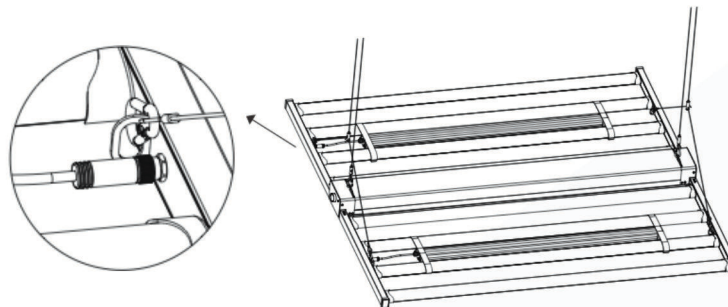
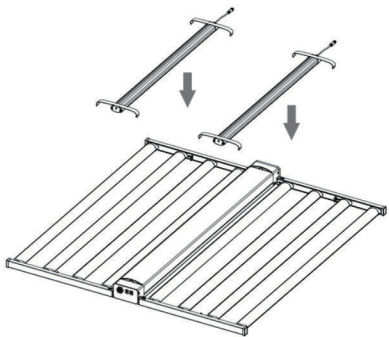


b) Loop the steel cables around a secure structure and back to the adjuster.



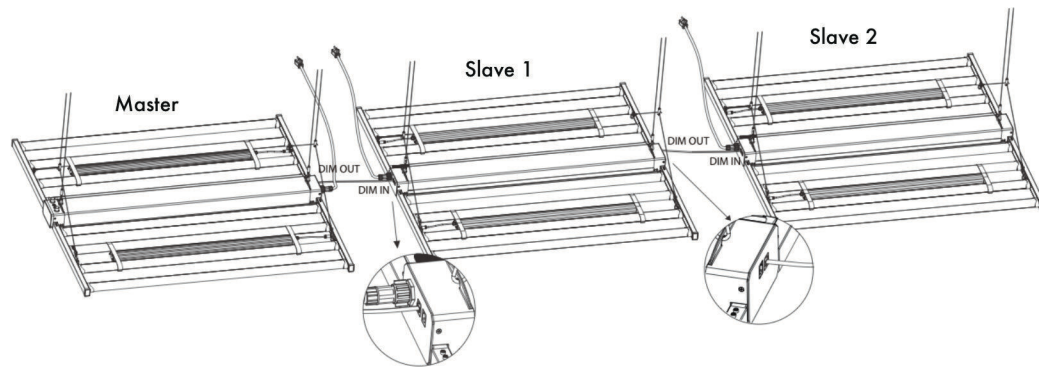
c) Attach the carabiners of the hanging steel cables to the two hanging anchors.

4. Unfold the fixture and attach the carabiners of the longer steel cable to hooks on each side and adjust the cable by pressing the locker.
5. Mount UV/IR bars (not included) and connect the power cables on the side bar.

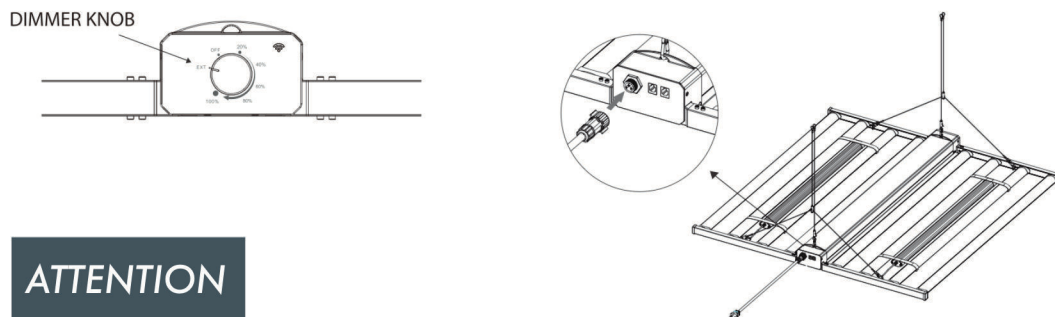


5.3 PRODUCT INSTALLATION

6. Connect one end of RJ cord to the RJ port (DIM out) of the **SMART 880** fixture (master), and the other end to the **SMART 880 SL** (slave) fixture RJ port (DIM in). Repeat the same action until you wire all the fixtures you have. One SMART 880 fixture is capable of controlling up to 100 pcs of SMART 880 SL fixtures.



7. Switch rotary knob on all fixtures to EXT. Connect power to all fixtures.

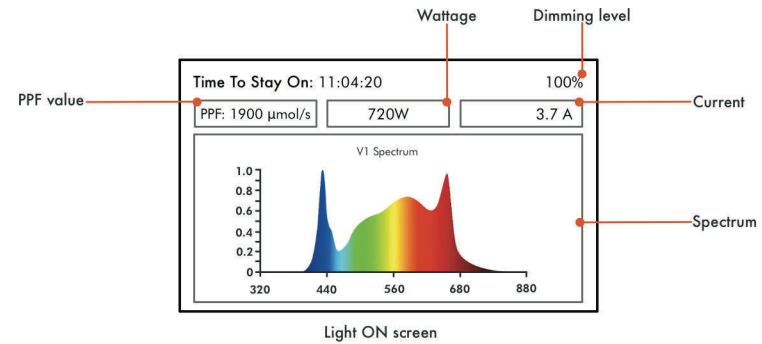
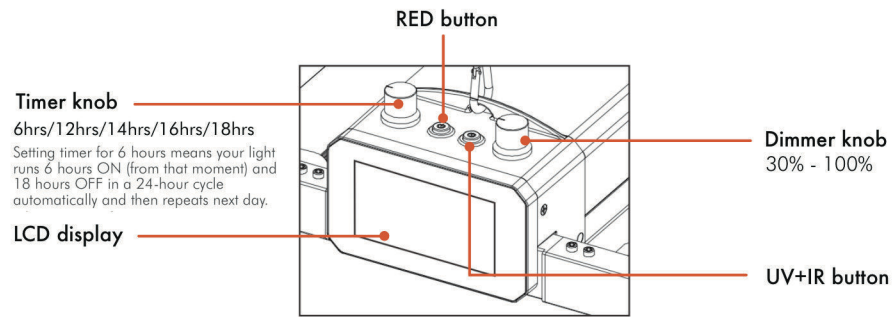


ATTENTION

- Always switch off the main voltage before connecting the fixtures to the chain.
- The dimming button on all fixtures has to be adjusted to EXT.
- Take caution when handling light bars. Ensure the LED diodes do not come in contact with shard objects that may damage them.

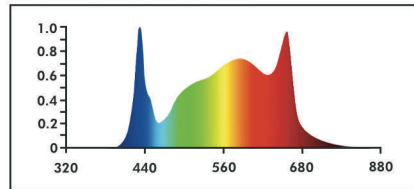
5.4 PRODUCT INSTALLATION

Display instructions & User interface



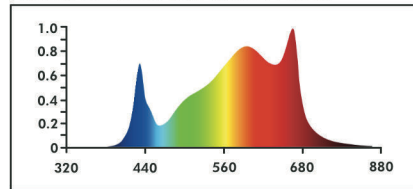
V1 Spectrum

The default screen is in V1 mode



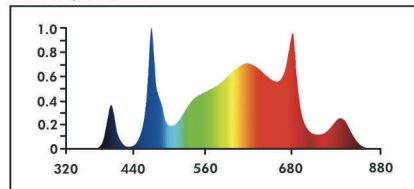
F1 Spectrum

Press the RED button once to start F1 mode



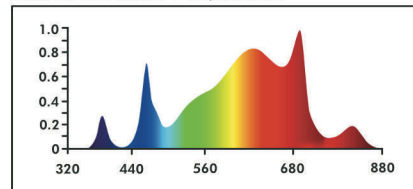
VS Spectrum (V1+UV&IR)

Press UV/IR button



FS Spectrum (F1+UV&IR)

Press the RED button + UV/IR button



■ **For any information, don't hesitate to contact:**

support@nokotech.co.uk
+44 7984 917932
www.nokotech.co.uk

6. MAINTENANCE

In the event that the product is defective or damaged, contact the reseller from whom you purchased the fixture.

WARNING

- Always switch off the main voltage before commencing installation and/or maintenance work.
- High voltage: risk of fire & risk of shock.
- Do not connect or disconnect the LED fixture under load.
- Don't touch. Fixture reaches high temps while in use. Always wait 20 - 30 minutes for the fixture to cool down.
- Never open or disassemble the product. It will void the warranty and will break the water-tight seal.
- The fixture is not designed to be submerged in water.

ATTENTION

- Do not clean the LED fixture with detergents, abrasives, and/or any other aggressive substances, such as solvents, acetone, alcohol, alkaline cleaners, windows cleaners, and similar.
- Regularly check the power cables of the fixture to ensure it is undamaged and safe to use.
- Check the product regularly for the build-up of dust and dirt. Clean the product if necessary.
- To limit degradation, avoid touching the diodes, even in a powered-off state.

Cleaning the LED fixture

Allow the fixture to cool down to room temperature before starting cleaning it. You can clean the outside of the fixture using a dry or damp cloth or: a vinegar and water solution (1:100 ratio) ; a hydrogen dioxide and water solution (<10:100 ratio).

7. STORAGE, DISPOSAL & WARRANTY

You can store the LED fixture in a dry and clean environment, with an ambient temperature of 0°C to 45°C. The product must not be discarded as unsorted municipal waste. It must be collected separately for treatment, recovery, and environmentally sound disposal.

Warranty

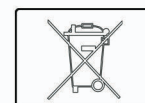
NOKOTECH warrants the mechanical and electronic components of the product to be free of defects in material and workmanship if used under normal operating conditions for a period of three (3) years from the original date of purchase.

This Limited Product Warranty does not cover any damage due to: (a) transportation; (b) storage; (c) improper use; (d) failure to follow Product instructions; (e) modifications; (f) unauthorized repair; (g) normal wear and tear (including powder coat); (h) external causes such as accidents, abuse, or other actions or events beyond NOKOTECH's reasonable control.

If the product shows any defects within this period and that defect is not due to user error or improper use we (if you bought from Nokotech Group Ltd) or another reseller you bought from, shall, at its discretion, either replace or repair the product using suitable new or reconditioned products or parts. In case it is decided to replace the entire product, this limited warranty shall apply to the replacement product for the remaining initial warranty period, i.e. three (3) years from the date of purchase of the original product. For service, return the product to the reseller/shop you bought from with the original sales receipt. For more information visit www.nokotech.co.uk/warranty

Always check for the latest user manuals on our webpage www.nokotech.co.uk/support

Last edited: 11.09.2023



"Watching something grow is
marvelous"



