



nOKOTECH

CLONE GENIUS

USER MANUAL



SCAN FOR LATEST USER MANUALS

INTRODUCTION

Thank you for purchasing the **Clone GENIUS** LED horticultural light and joining the NOKOTECH users club. Please read this manual carefully before trying to install and/or operate the product. We highly recommend you keep this manual for future reference. Furthermore, you should always check for the latest version manual on our webpage www.nokotech.co.uk/support.

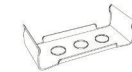
ATTENTION

1. Risk of fire or electric shock: Always switch off the main voltage before commencing installation or maintenance work.
2. Always use the product within a safe working load.
3. Designed for statically positioned hanging. Do not use it for lifting or within dynamic positioning.
4. Do not walk or stand on the product.
5. Do not open and/or disassemble the LED light. Opening and/or modifying the LED light will void the warranty.
6. Connect the system only to the power sources of the appropriate voltage using the plug received with the fixture.
7. Do not use the product when its power cable is damaged. Modifications to the cables may damage the product.
8. Do not clean the LED light with detergents, abrasives, or other aggressive substances.

WHAT'S INCLUDED?



LED light bars (2 pieces) with power cord



U shape clips (4pcs)

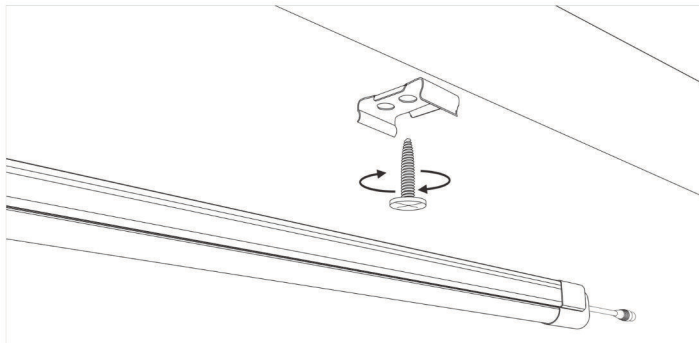


Plastic ties (4pcs)

INSTALLATION METHODS OF INDIVIDUAL CLONE LIGHT

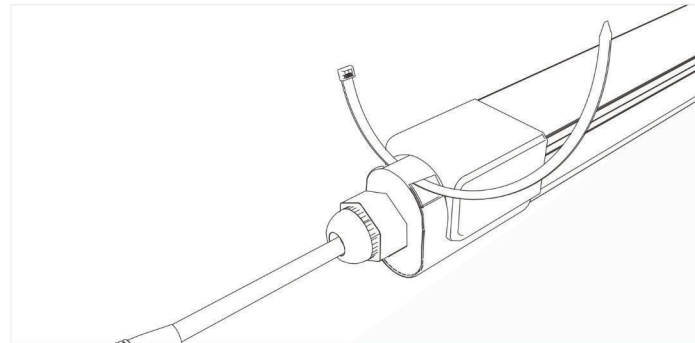
METHOD 1

1. Fix U shape clips.
2. Fasten the LED bar to the U shape clips in the shown direction.



METHOD 2

1. Pass the plastic ties through the end caps holes on the LED bar.
2. Attach them to a suitable surface.



STORAGE, DISPOSAL & WARRANTY

You can store the product in a dry and clean environment, with an ambient temperature of 0°C to 45°C. The product must not be discarded as unsorted municipal waste. It must be collected separately for treatment, recovery, and environmentally sound disposal.

Warranty

NOKOTECH warrants the mechanical and electronic components of the product to be free of defects in material and workmanship if used under normal operating conditions for a period of three (3) years from the original date of purchase.

This Limited Product Warranty does not cover any damage due to: (a) transportation; (b) storage; (c) improper use; (d) failure to follow Product instructions; (e) modifications; (f) unauthorized repair; (g) normal wear and tear (including powder coat); (h) external causes such as accidents, abuse, or other actions or events beyond NOKOTECH's reasonable control.

If the product shows any defects within this period and that defect is not due to user error or improper use we (if you bought from Nokotech Group Ltd) or another reseller you bought from shall, at its discretion, either replace or repair the product using suitable new or reconditioned products or parts. In case it is decided to replace the entire product, this limited warranty shall apply to the replacement product for the remaining initial warranty period, i.e., three (3) years from the date of purchase of the original product. For service, return the product to the reseller/shop you bought from with the original sales receipt. For more information, visit www.nokotech.co.uk/warranty

Always check for the latest user manuals on our webpage www.nokotech.co.uk/support

Last edited: 11.09.2023



"Watching something grow is
marvelous"





